

EXPLODED VIEW & PARTS LISTING

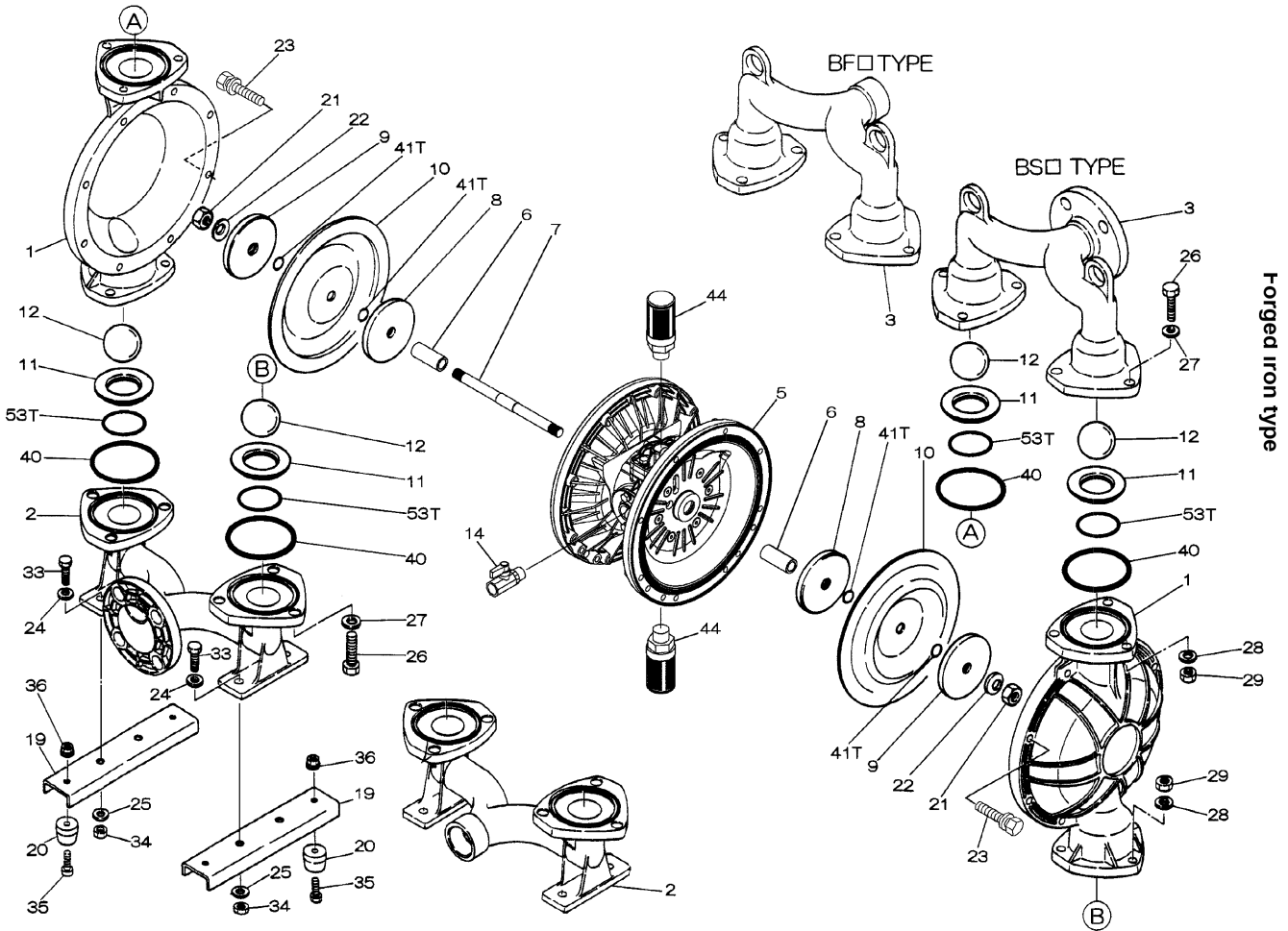
Model: DP-50BST-HD (XDP)



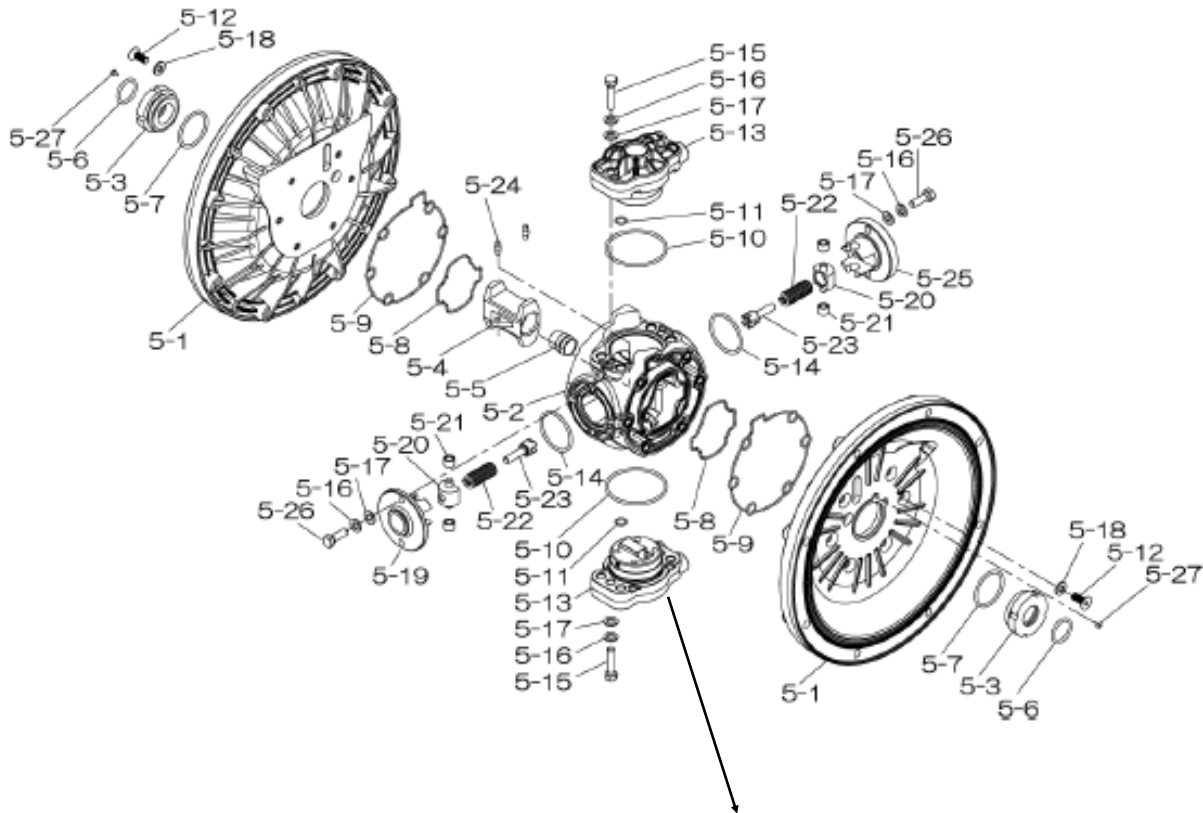
Part#: 854438 (NPT)

Air Operated Double Diaphragm Pump

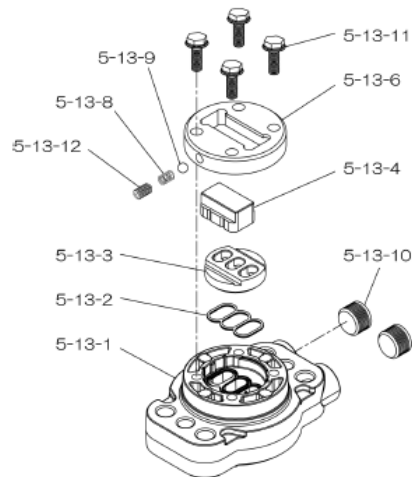
Part# 854431 (FLANGE)



**804853 Center Body Assembly**



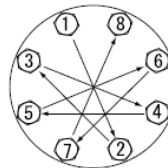
**804784 Valve Body Assembly**



| REF. NO. | PARTS NO. | DESCRIPTION            | QTY. | REORDER |
|----------|-----------|------------------------|------|---------|
| 1        | 712932    | OUT CHAMBER            | 2    |         |
| 2        | 712559    | IN MANIFOLD            | 1    |         |
| 2        | 712557    | IN MANIFOLD            | 1    |         |
| 3        | 712558    | OUT MANIFOLD           | 1    |         |
| 3        | 712556    | OUT MANIFOLD           | 1    |         |
| 5        | 804853    | CENTER BODY ASSY       | 1    |         |
| 5-1      | 716247    | AIR CHAMBER            | 2    |         |
| 5-2      | 716256    | BODY                   | 1    |         |
| 5-3      | 773095    | THROAT BEARING         | 2    |         |
| 5-4      | 716214    | SHUTTLE                | 1    |         |
| 5-5      | 773047    | CENTER ROD GUIDE       | 1    |         |
| 5-6      | 640023    | O RING                 | 2    |         |
| 5-7      | 640133    | O RING                 | 2    |         |
| 5-8      | 773040    | GASKET                 | 2    |         |
| 5-9      | 773041    | GASKET                 | 2    |         |
| 5-10     | 640138    | O RING                 | 2    |         |
| 5-11     | 640007    | O RING                 | 8    |         |
| 5-12     | 683812    | FLAT SOCKET            | 12   |         |
| 5-13     | 804784    | VALVE BODY ASSY        | 2    |         |
| 5-13-1   | 715244    | VALVE BODY             | 1    |         |
| 5-13-2   | 773042    | GASKET                 | 1    |         |
| 5-13-3   | 716246    | SEAT                   | 1    |         |
| 5-13-4   | 773425    | BLOCK                  | 1    |         |
| 5-13-6   | 773426    | GUIDE PLATE            | 1    |         |
| 5-13-8   | 706612    | SPRING INK             | 1    |         |
| 5-13-9   | 686271    | BALL                   | 1    |         |
| 5-13-10  | 772934    | PLUG                   | 2    |         |
| 5-13-11  | 602300    | TAPPING BOLT           | 4    |         |
| 5-13-12  | 610025    | HEX. SOCKET HEAD SCREW | 1    |         |
| 5-14     | 640134    | O RING                 | 2    |         |
| 5-15     | 611153    | BOLT                   | 4    |         |
| 5-16     | 631420    | SPRING WASHER          | 8    |         |
| 5-17     | 631013    | WASHER FLAT            | 8    |         |
| 5-18     | 684987    | WASHER                 | 12   |         |
| 5-19     | 716249    | RETAINER               | 1    |         |
| 5-20     | 613620    | SPRING GUIDE           | 2    |         |
| 5-21     | 773067    | BUSH                   | 4    |         |
| 5-22     | 684537    | SPRING                 | 2    |         |
| 5-23     | 714446    | TRIP ARM               | 2    |         |
| 5-24     | 770231    | PIN                    | 2    |         |
| 5-25     | 716216    | RETAINER               | 1    |         |
| 5-26     | 611149    | BOLT                   | 4    |         |
| 5-27     | 686337    | TAPPING SCREW          | 2    |         |

| REF. NO. | PARTS NO.    | DESCRIPTION     | QTY. | REORDER |
|----------|--------------|-----------------|------|---------|
| 6        | 716399       | CENTER BUSH     | 2    |         |
| 7        | 716404       | CENTER ROD      | 1    |         |
| 8T       | 707822       | CENTER DISK     | 2    |         |
| 9        | 707823       | CENTER DISK     | 2    |         |
| 10       | 770815       | DIAPHRAGM       | 2    |         |
| 11       | 711909       | VALVE SEAT      | 4    |         |
| 12       | 770693       | BALL            | 4    |         |
| 14       | 686974       | BALL VALVE      | 1    |         |
| 19       | 711928       | BASE            | 2    |         |
| 20       | 771402       | FOOT RUBBER     | 4    |         |
| 21       | 706128       | NUT             | 2    |         |
| 22       | 682740       | WASHER          | 2    |         |
| 23       | 621180       | BOLT            | 16   |         |
| 24       | 631174       | WASHER FLAT     | 4    |         |
| 25       | 631937       | WAVE WASHER     | 20   |         |
| 26       | 621202       | BOLT            | 12   |         |
| 27       | 631175       | WASHER FLAT     | 12   |         |
| 28       | 631938       | WAVE WASHER     | 12   |         |
| 29       | 628014       | NUT             | 12   |         |
| 33       | 621175       | BOLT            | 4    |         |
| 34       | 628013       | NUT             | 4    |         |
| 35       | 611149       | BOLT            | 4    |         |
| 36       | 682276       | NUT W/FLANGE    | 4    |         |
| 40       | 643069       | O RING          | 4    |         |
| 41T      | 643015       | O RING          | 4    |         |
| 44       | 804697       | MUFFLER         | 2    |         |
| 53T      | 643139       | O RING          | 4    |         |
| KIT      | K50-MT       | LIQUID SIDE KIT |      |         |
| KIT      | K45-AM-DP-HD | AIR MOTOR KIT   |      |         |

Torque Requirements:



Tightening torque for center rod and out chambers.

Center Rod 43 ft-lbf {60 N-m}  
Out Chambers 29 ft-lbf {40 N-m}

Tightening torque for manifold retainer bolts.  
BST 18 ft-lbf {25 N-m}

General Tools:

- Socket wrench - 24mm
- Hexagonal box wrench - 5mm, 6mm
- Open-end wrenches - 19mm, 24mm
- Phillips head screw driver

Special Tools:

- Socket (804129) for a guide to remove the throat bearing (sold separately)

Miscellaneous:

- Assembly Oil - Turbine oil none additional class 1 (equivalent to ISO VG32 grade)
- Nuts - M16 x 1.5
- Thread locker
- Urea grease grade (NLGI) No. 2, Shell Alvania Grease S1

Customer Notes

Model #: \_\_\_\_\_  
 Description: \_\_\_\_\_  
 Serial #: \_\_\_\_\_  
 Date Installed: \_\_\_\_\_  
 Department Location: \_\_\_\_\_  
 Tag/Project: \_\_\_\_\_